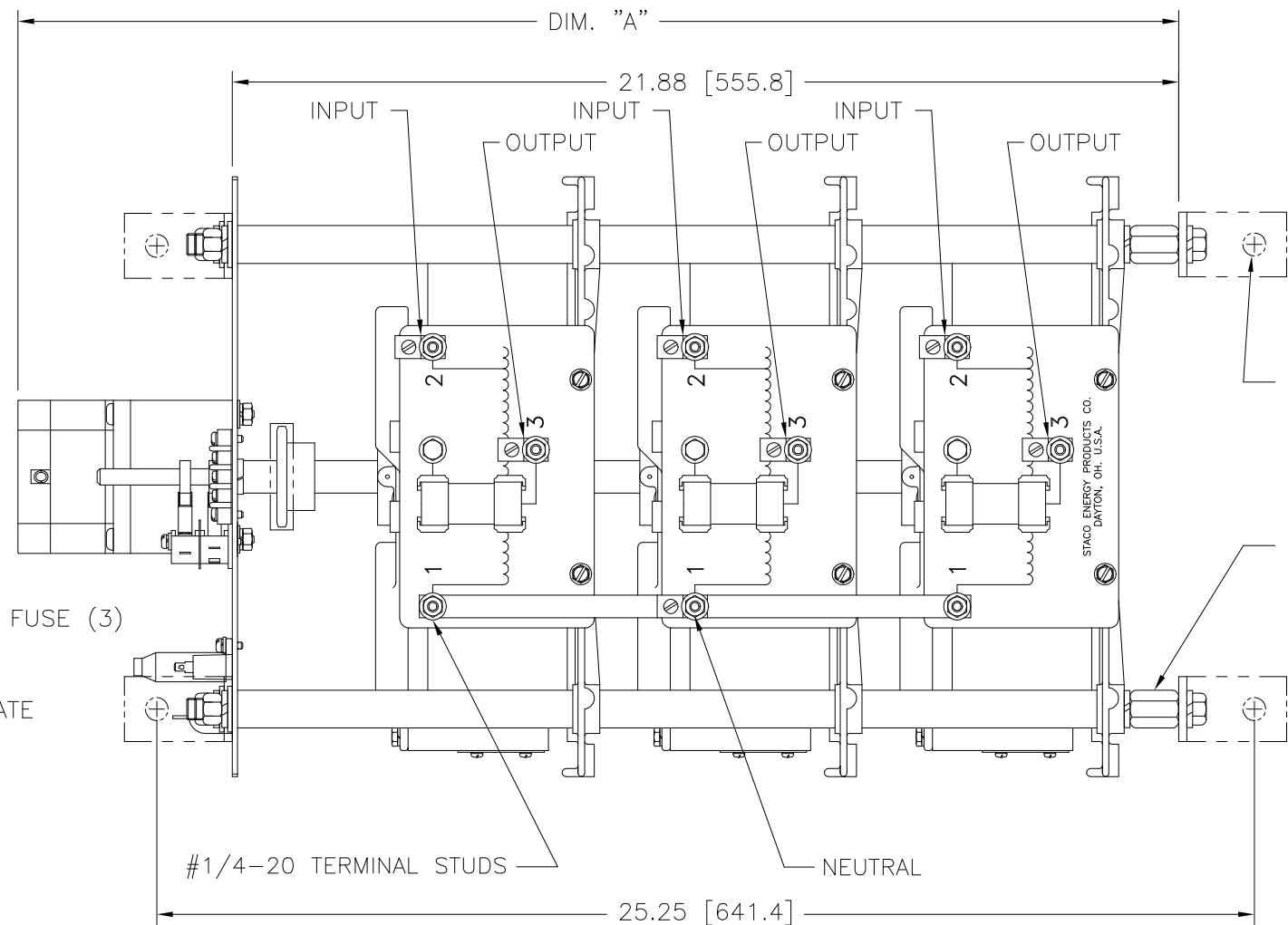
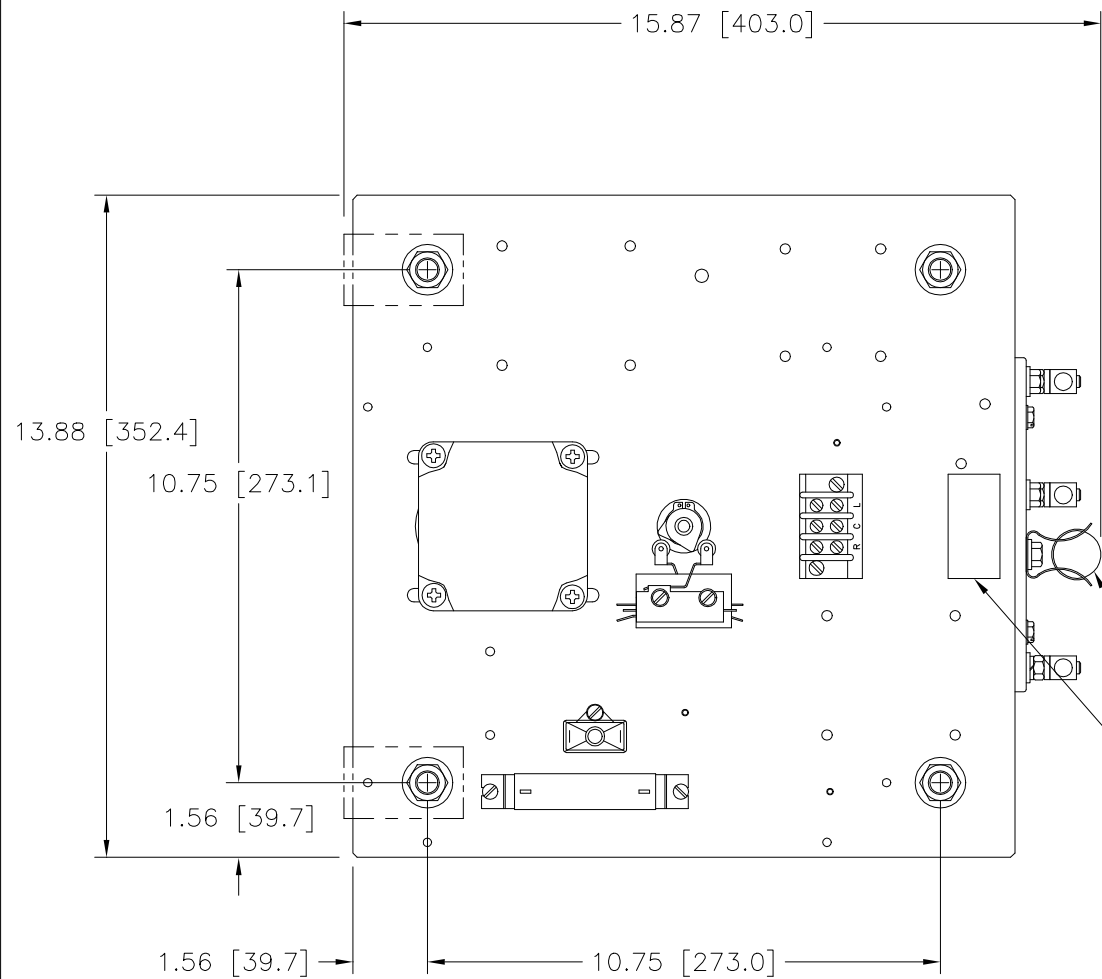
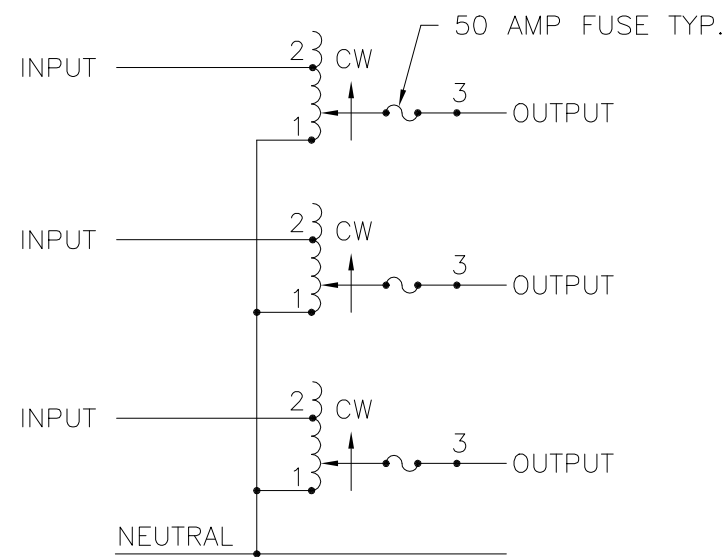


DWG. NO.	031-6864		
REVISIONS			
SYM.	E.C.N.	DATE	APVD.
A	23457	8/12/97	
REVISED & REDRAWN			
B	24281	6/13/00	
REVISED & UPDATED			
C	24951	10/8/02	
NEW MOTOR			

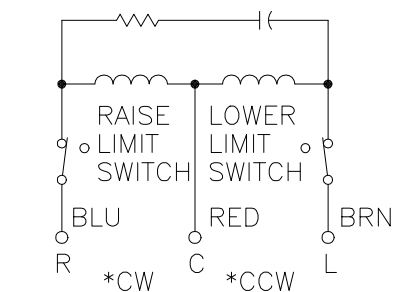


.53 [13.4] DIA. HOLE FOR CUSTOMER MTG. (4) HOLES

1/2-13 X .56 [14.2] DP. STANDOFFS FOR MTG. BOLTS



SCHEMATIC



MOTOR CIRCUIT
120V, 50/60 HZ
* ROTATION AS VIEWED FROM TOP END
MOTOR SPEEDS: SEE CHART

MODEL NUMBER	SPEED (SECONDS)	DIM "A"
5M5011-3Y	5	25.56 [649.2]
15M5011-3Y	15	26.84 [695.4]
30M5011-3Y	30	26.84 [695.4]
60M5011-3Y	60	26.84 [695.4]

WIRING	INPUT		OUTPUT		SHAFT ROTATION FOR VOLTAGE INCREASE	TERMINAL CONNECTIONS FOR INCREASING VOLTAGE AS VIEWED FROM TOP		
	VOLTS	HERTZ	VOLTS	CONSTANT CURRENT LOAD		INPUT	OUTPUT	
				MAX. AMPS				MAX. KVA
THREE PHASE WYE	240	60	0-280	50	24.2	CW	2-2-2 3-3-3	

UNLESS OTHERWISE SPECIFIED, TOLERANCE IS ± DECIMALS .XX, HOLES .0008-.12, ANGLES DRAFT 1°, UNITS IN [mm]

MATERIAL: ALL DIMENSIONS APPLY AFTER PLATING

TITLE: SPEC. CONTROL DRAWING MOTORIZED VARIABLE XFMR. TYPE: M5011-3Y

STACO ENERGY PRODUCTS CO. A Components Corporation of America Company 302 South Boulevard Dayton, Ohio 45403 USA

DRAWN BY	DATE	FIRST USED ON	DO NOT SCALE DWG.
TIM RAU	7/25/97		
CHECKER	DATE	WEIGHT APPROX. 233 LBS.	CAGE CODE 83008
ENGINEER	DATE	SCALE .5=1	SHEET 1 OF 1

DWG. NO. 031-6864