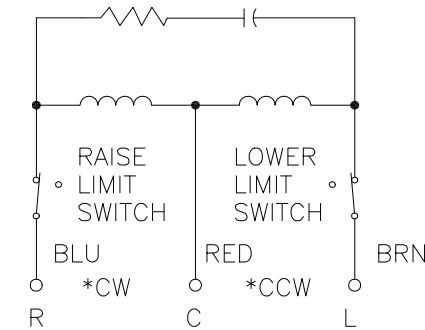
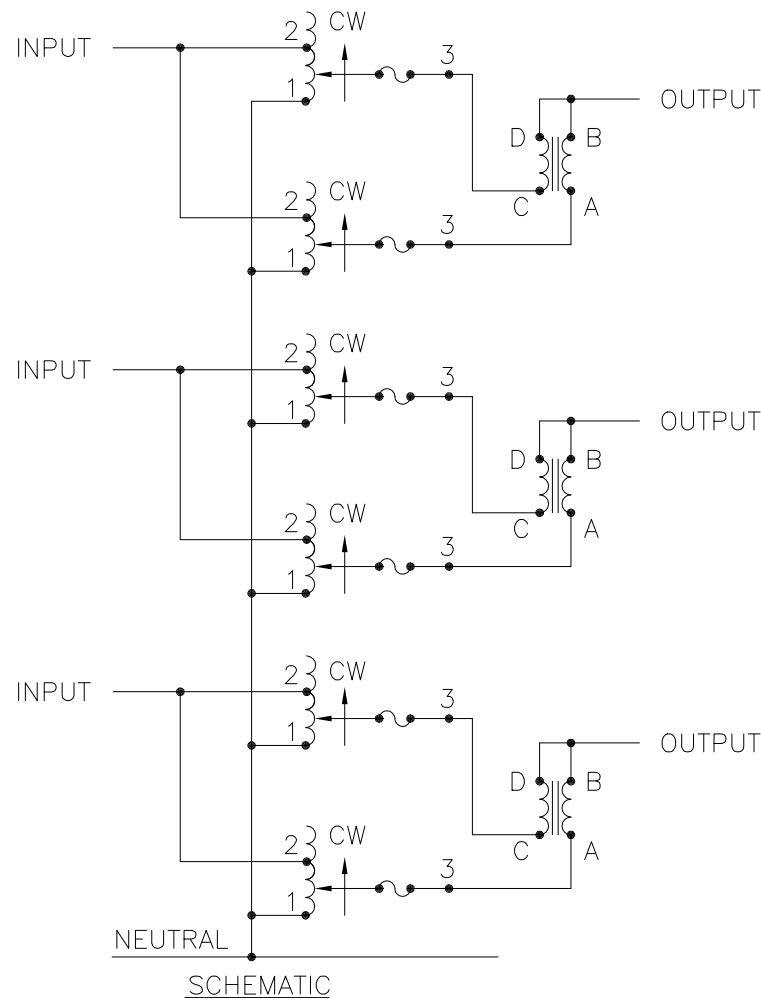
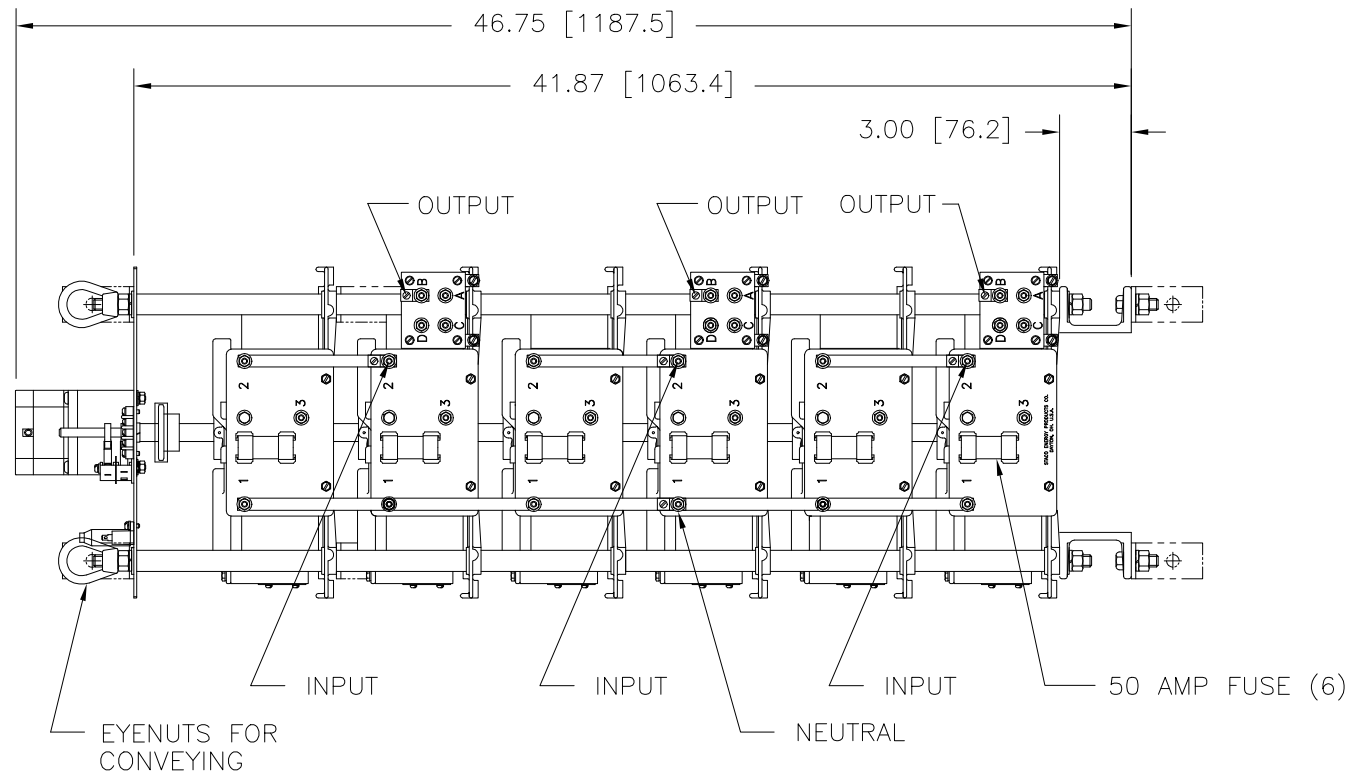
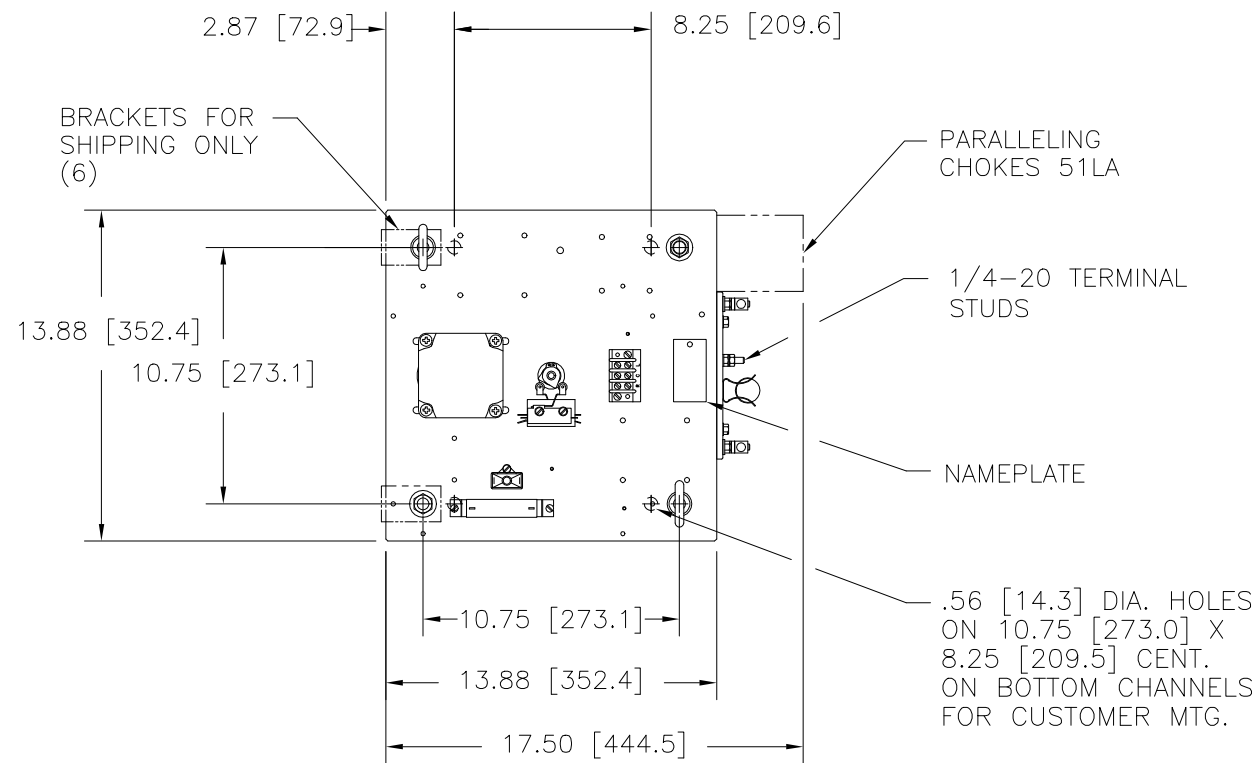


DWG. NO.	031-6954		
REVISIONS			
SYM.	E.C.N.	DATE	APVD.
A	24215	4/18/00	REVISED & UPDATED
B	24309	8/31/00	REVISED & UPDATED
C	24960	10/2/02	NEW MOTOR



**MOTOR CIRCUIT**  
 120V 50/60 HZ  
 \* ROTATION AS VIEWED FROM MOTOR END  
 MOTOR SPEED : SEE CHART

SPEED (SECONDS)	MODEL NUMBER
15	15M5011-6Y
30	30M5011-6Y
60	60M5011-6Y

WIRING	SPECIFICATIONS						TERMINAL CONNECTIONS		
	INPUT		OUTPUT			SHAFT ROTATION FOR INCREASE VOLTAGE	FOR INCREASING VOLTAGE AS VIEWED FROM ROTOR END		
	VOLTS	HERTZ	VOLTS	MAX. AMPS	MAX. KVA		INPUT	JUMPER	OUTPUT
THREE PHASE WYE	240	60	0-280	100	48.5	CW	2-2-2	—	B-B-B

UNLESS OTHERWISE SPECIFIED, TOLERANCE IS ±  
 DECIMALS .12 .002  
 .XX .005  
 .XXX .005

ANGLES 1°  
 DRAFT 1-1/2°

UNITS IN [mm]

MATERIAL: ALL DIMENSIONS APPLY AFTER PLATING

TITLE: SPEC. CONTROL DWG. MOTORIZED VARIABLE XFMR 15 30 & 60M5011-6Y

**STACO ENERGY PRODUCTS CO.**  
 A Components Corporation of Ametec Company  
 305 South Boulevard Dayton, Ohio 45408 USA

DRAWN BY: TIM RAU DATE: 2/13/96 FIRST USED ON: DO NOT SCALE DWG.  
 CHECKER: DATE: WEIGHT APPROX. 500 LBS CAGE CODE 83008  
 ENGINEER: DATE: SCALE .25=1 SHEET 1 OF 1

DWG. NO. 031-6954