

Models DP1211/DP1311

RESISTANCE STANDARDS & INSTRUMENTS

- Kelvin-Varley voltage divider
- Panel-mounting area from 27.1 to 45.2 cm²
- Precision resistors throughout
- Solid silver-alloy switch contacts

Dekapot Coaxial-Dial Decade Potentiometer

These Dekapot potentiometers are precision decade resistive voltage dividers featuring the accuracy, high resolution and constant input impedance of the Kelvin-Varley circuit. They provide known voltage and current ratios for meter calibration, linearity checking, ratio measuring, synchro testing, computer standardization, and many other DC and audio frequency applications.

The stacked dial configuration conserves space without sacrificing operating ease. Each unit occupies less than 45.2 square centimeters of panel

space. Convenient in-line reading is provided by the TEGAM Dekadial coaxial dial.

The DP1211 offers two decades plus a 100 division potentiometer. The DP1311 offers three decades plus a 100 division potentiometer.

Exceptional stability and reliability are assured by the use of precision resistive elements. The ceramic switch decks are silicone-treated to improve insulation resistance, and the multiple switch contacts are of solid silver-alloy for long life and low contact resistance.



Models DP1211/DP1311

DEKAPOT DECADE POTENTIOMETERS

Specifications

DP1211 Dekapot Decade Potentiometer

Terminal Linearity*	Initial: ± 15 ppm + 0.5 dial division Long-term: ± 20 ppm + 0.5 dial division
*Mid-scale rating. Improves near end-scale settings.	
Coefficients of Linearity	Temperature: ± 2 ppm/ $^{\circ}$ C Power: ± 30 ppm/W for 1 k Ω , ± 10 ppm/W for 10 k Ω
Calibration Conditions	23 $^{\circ}$ C, low input power
Number of Decades	Two, plus 100-division potentiometer
Resolution	0.003 %
Input Resistance	1, 10 k Ω (accuracy $\pm 0.01\%$)
Maximum Input Power	5 W continuous, 10 W intermittent
Breakdown Voltage	750 V rms to case
Dimensions	Diameter 7.6 cm (3 in) Depth 18.3 cm (7.2 in) Depth (behind panel) 15 cm (5.9 in)
Weight	772 gm (1.7 lb)

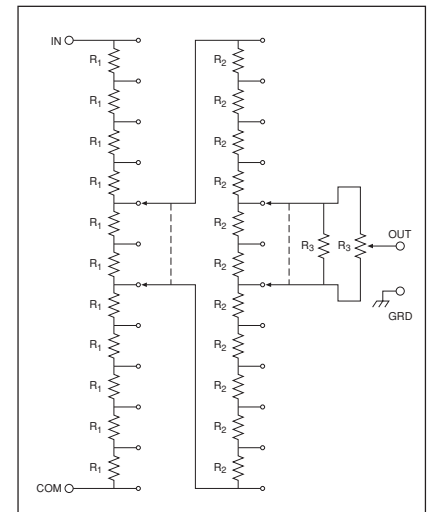
DP1311 Dekapot Decade Potentiometer

Specifications for the DP1311 are the same as for the DP1211 except for the following:

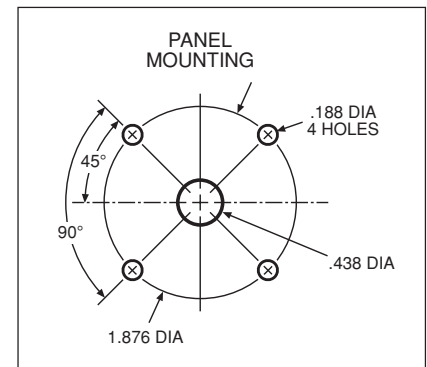
Number of Decades	Three, plus 100-division potentiometer
Resolution	0.0003 %
Dimensions	Diameter 3 in (7.6 cm) Depth 8.5 in (21.6 cm) Depth (behind panel) 6.9 in (17.6 cm)
Weight	1 kg (2.1 lb)

Included Accessories

Instruction Sheet	P/N 8895
Z540 Compliant Calibration with Certificate and Data for DP1211 or DP1311	P/N OPT-Z540



DP1211 Schematic



YOUR GLOBAL SOURCE FOR TEST AND MEASUREMENT SOLUTIONS

10 TEGAM WAY • GENEVA, OHIO 44041
440-466-6100 • FAX 440-466-6110
www.tegam.com • e-mail: sales@tegam.com